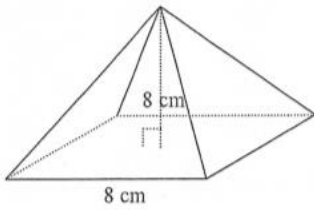


Unit 12-Worksheet #3: Surface Area of Pyramids and Cones

Name and determine the surface area for each of the following figures.

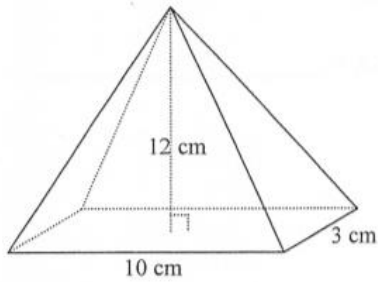
1.



Name: _____

SA= _____

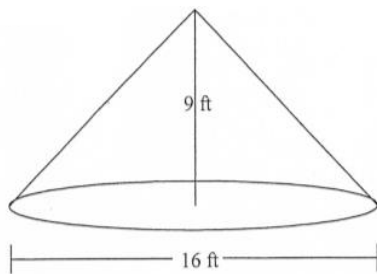
2.



Name: _____

SA= _____

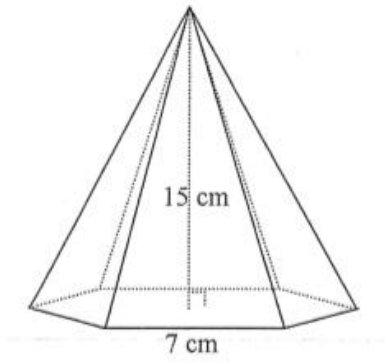
3.



Name: _____

SA= _____

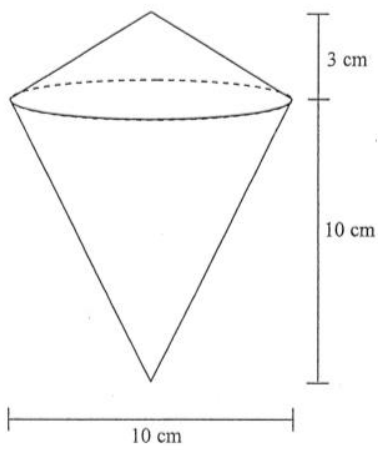
4.



Name: _____

SA= _____

5. Solid created from the union of two cones with identical radii



SA= _____