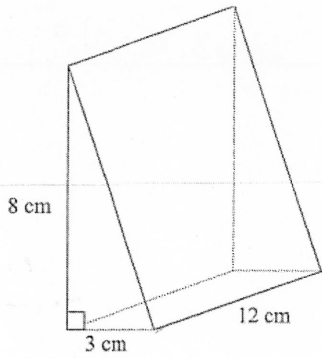


Name and determine the surface area for each of the following figures.

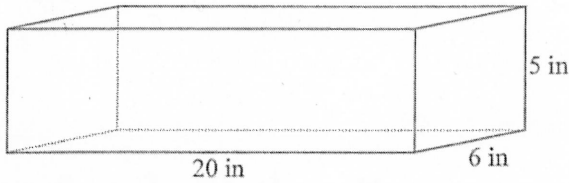
1.



Name: Triangular Prism

SA= 258.48 cm²

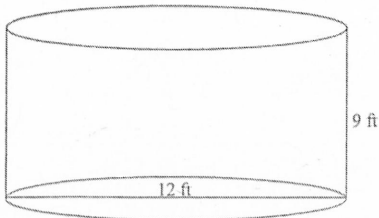
2.



Name: Rectangular Prism

SA= 500 in²

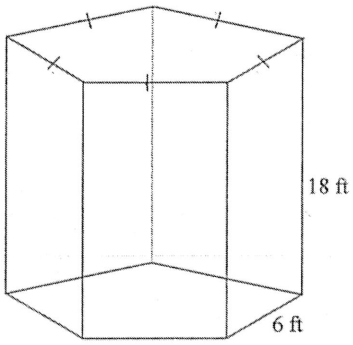
3.



Name: Cylinder

SA= 565.49 ft²

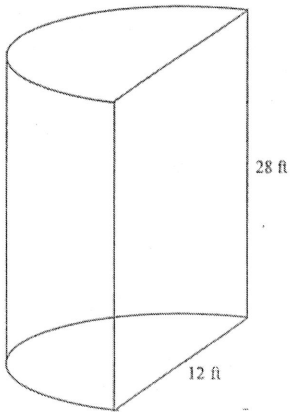
4.



Name: Regular Hexagonal Prism

SA= 663.9 ft²

5.



Name: Half of a Cylinder

SA= 976.88 ft²